

DIMENSION SHEET INNER INFLATABLE BELT

Please make a selection and enter it in the fields provided.

Your data:

Name: _____

Company: _____

E-Mail: _____

You Choose

amount:

 pcs

InnerØ- tube (mm)

height(mm)

Ø Max. blowing (mm)

inquiry order

Rubber-quality



Technical standard quality, wear-resistant, notch resistant



FDA-Quality Food safe



Electrically conductive antistatic



Temperature resistant (+230°C) FDA- Food sector



Valves / Airconnector

amount:

 pcs

amount:

 pcs

amount:

 pcs


Fix connector for 6mm tube

R= 16 mm



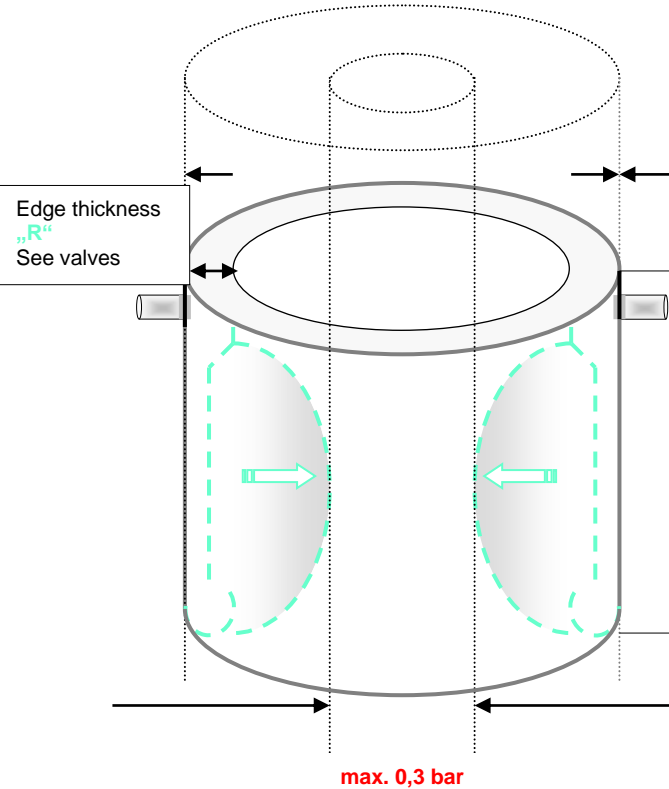
1/4 Zoll external thread

R = 21 mm



V2A-tube Ø 6 x 200 mm long

R = 16mm



Franz-Wachter-Str. 28
70188 Stuttgart

inquiry@manfred-kunze.de
www.manfred-kunze.de